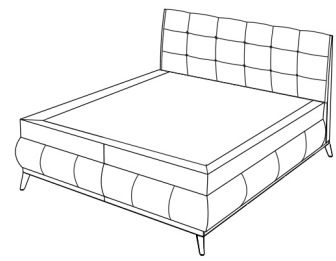
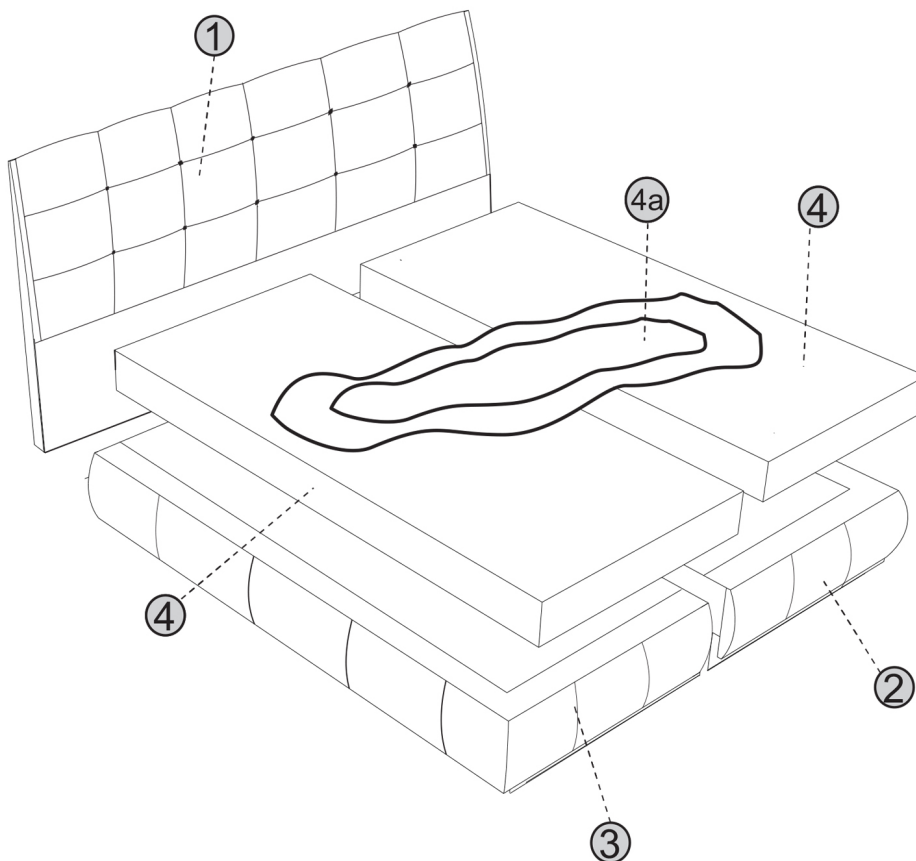
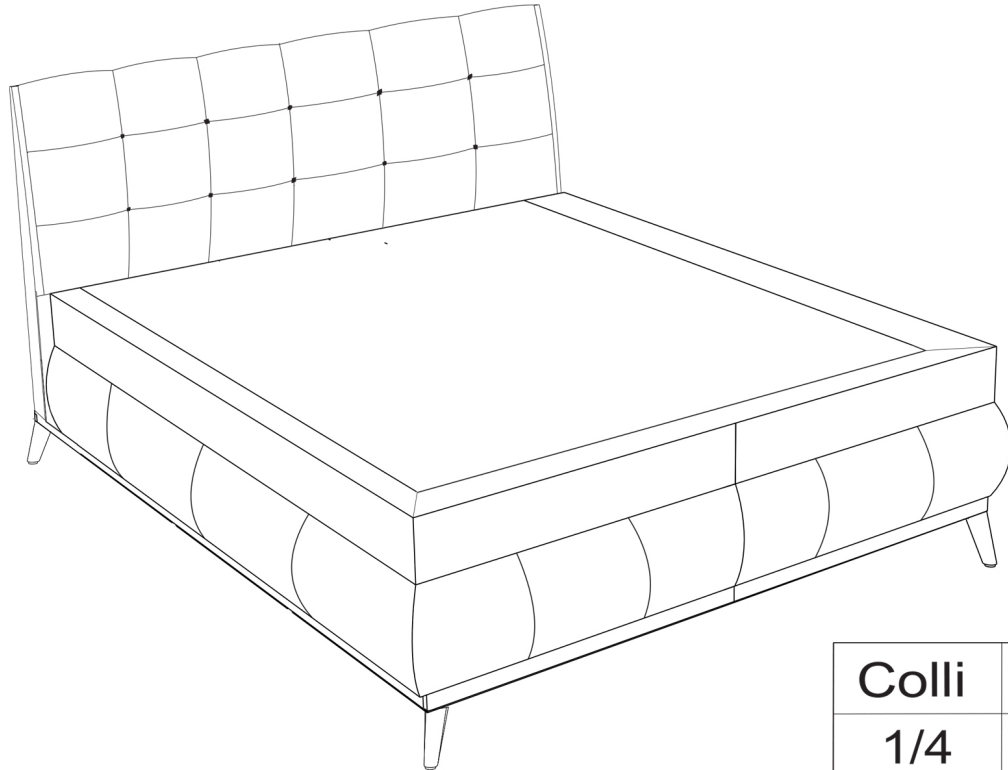


2 X 25min

ELISA II

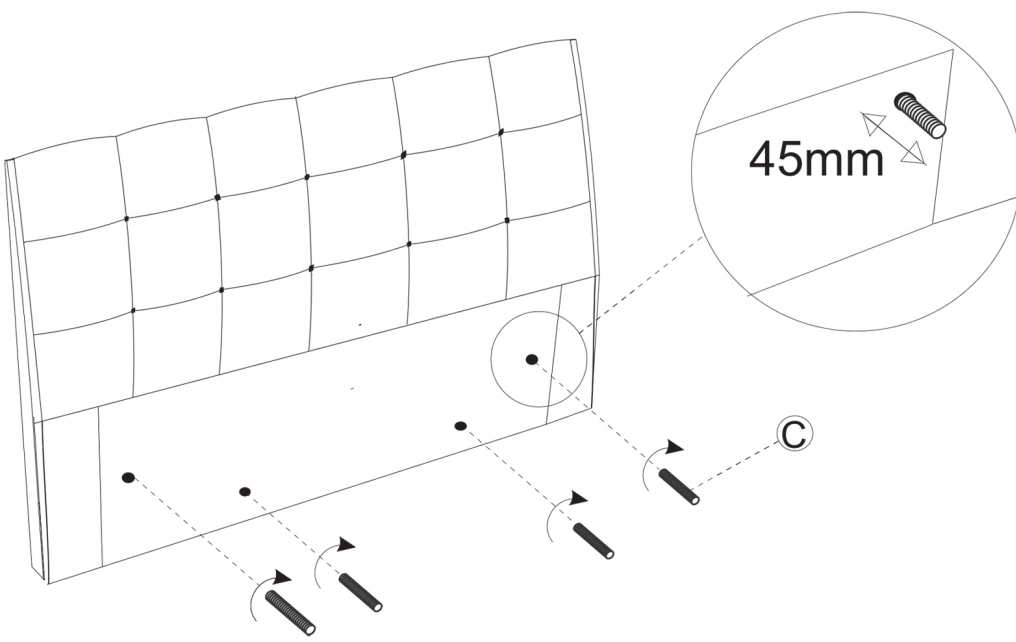



A	B	C	D	E	F	G	H
x6 M8	x6	x5 M8X80	x4 H=12,5cm	x12 M8x25	x4 EVA FI 22	x4 H=12cm	x4




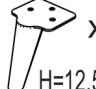

Colli	Teil
1/4	1+4a
2/4	2
3/4	3
4/4	4+4

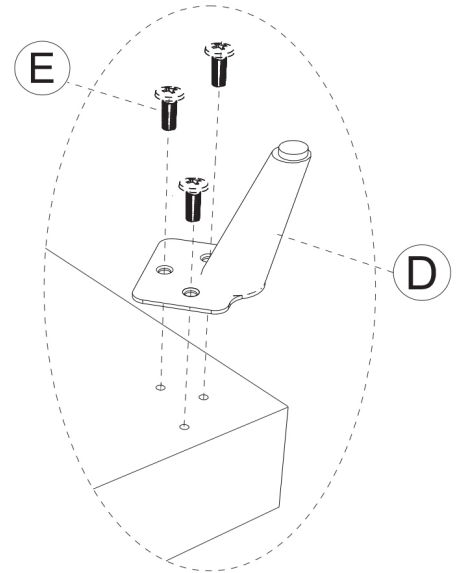
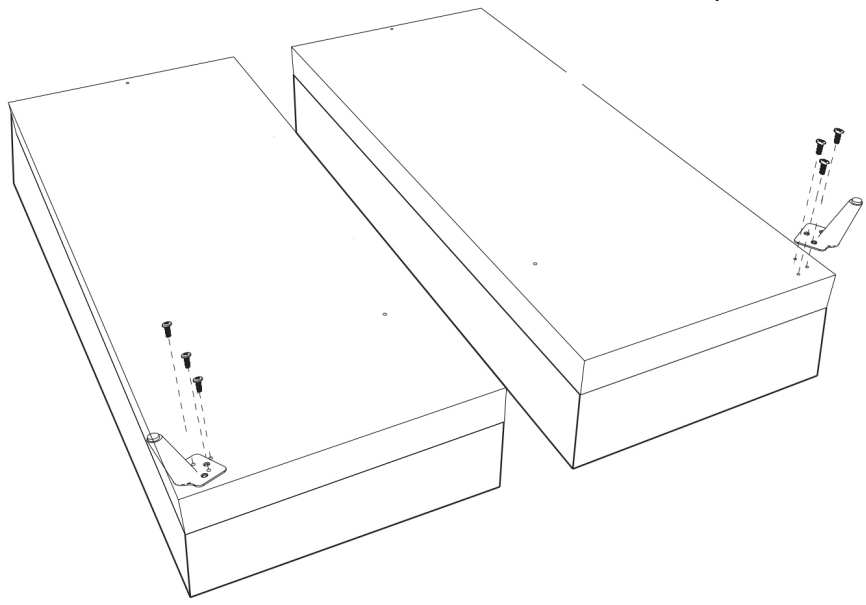




C  x4
M8X80

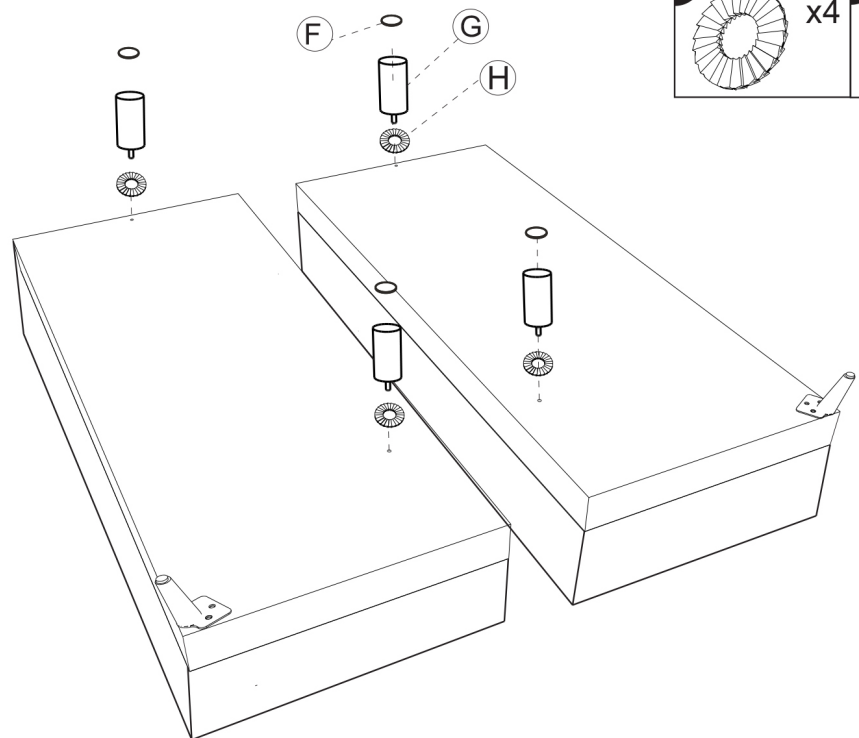
2

<p>⊕ </p>	<p>D  x2 H=12,5cm</p>	<p>E  x6 M8x25</p>
---	---	--

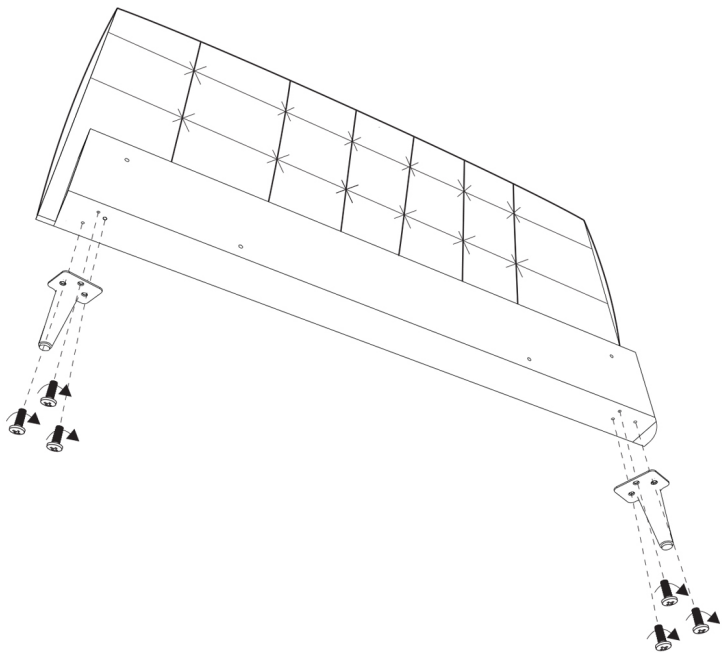





3

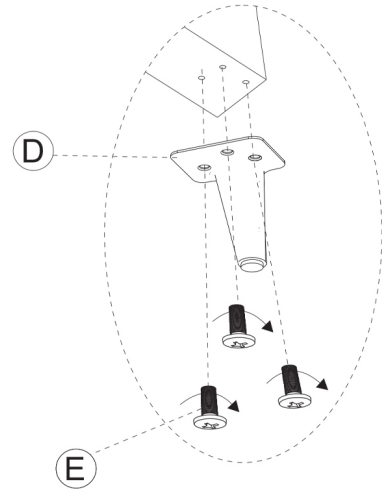
<p>H  x4</p>	<p>F  x4 EVA Fi 22</p>	<p>G  x4 H=12cm</p>
--	--	---



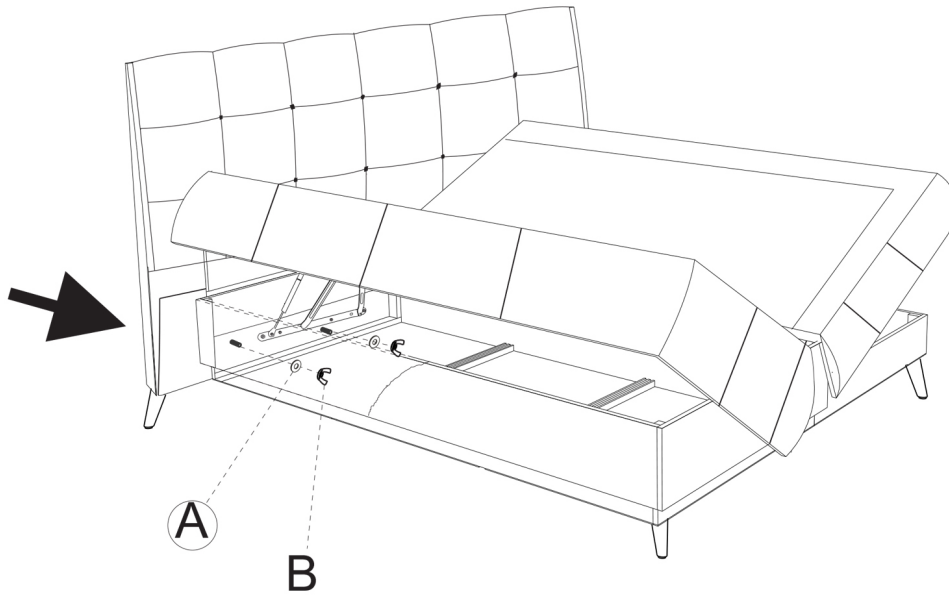
④





⊕ 	D  x2 H=12,5cm	E  x6 M8x25
---	--	---

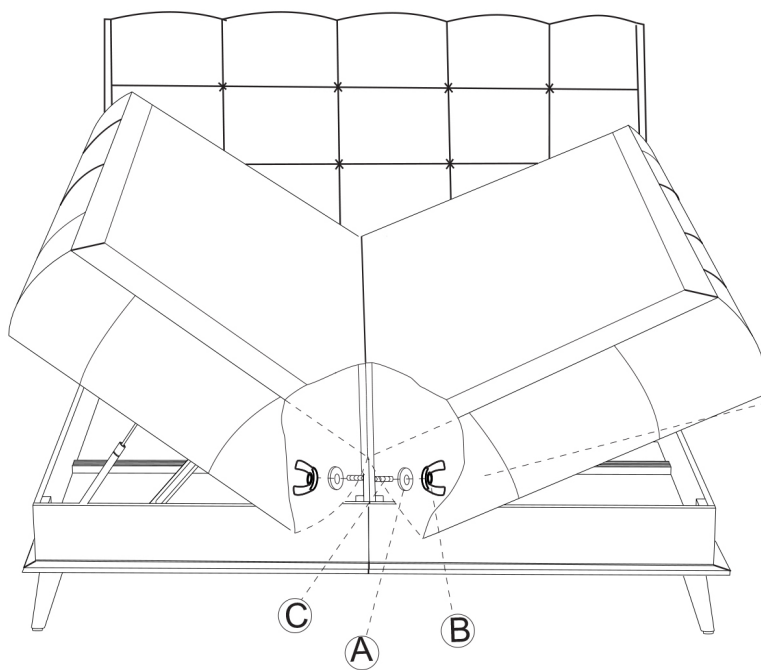



④

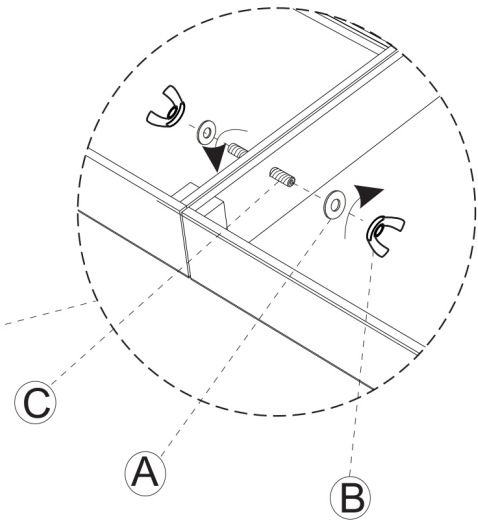


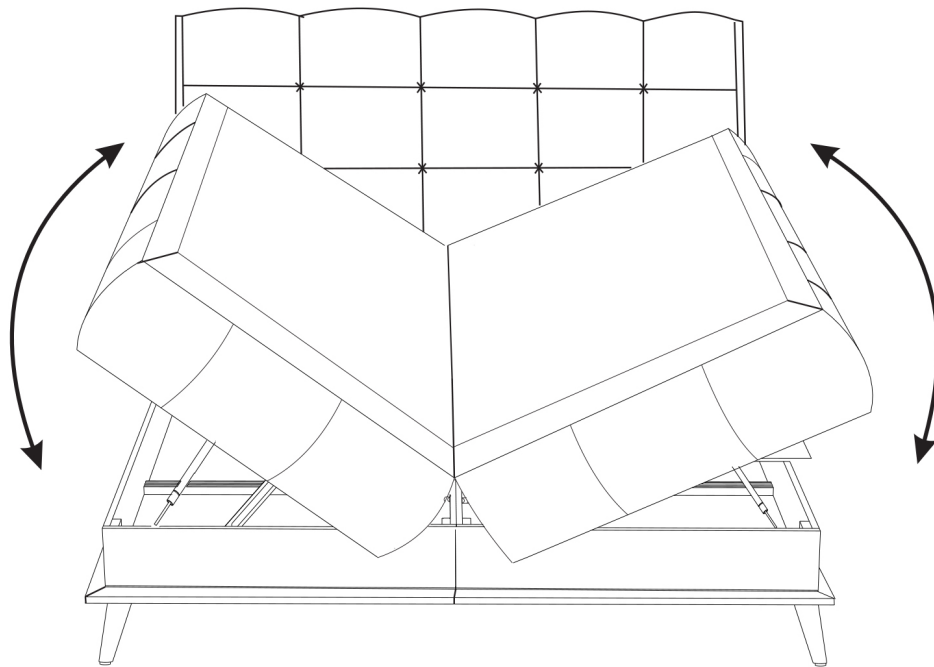
A  x4 M8	B  x4
---	---

⑤



A  x2 M8	B  x2	C  x1 M8X80
---	---	--





⑥

